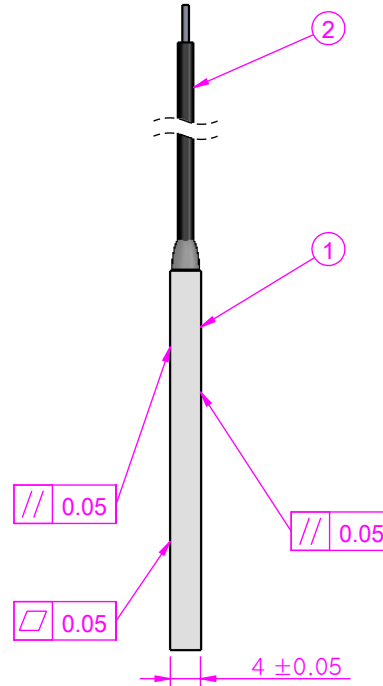
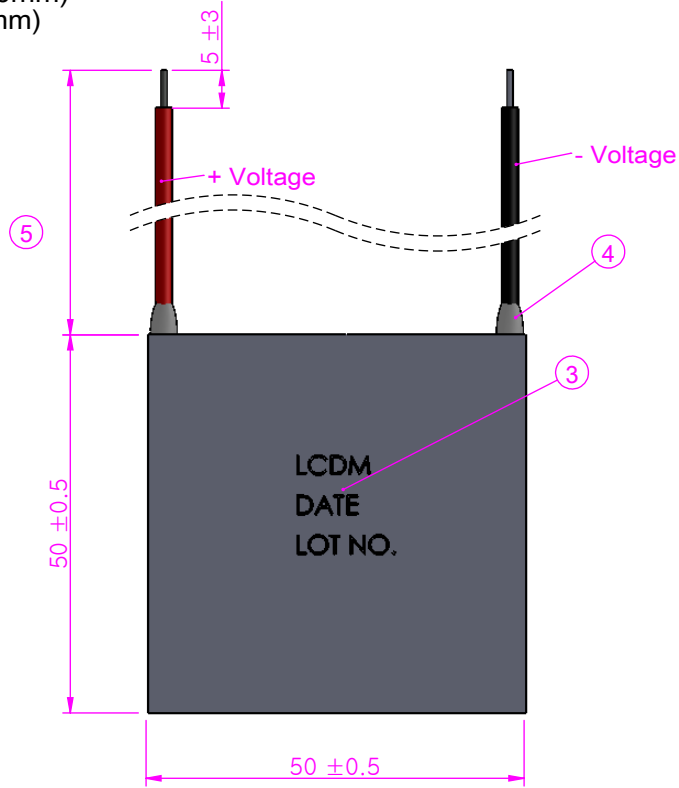


LM-5050-3.7-15.2

Part number	LM -	5050 -	3.7 -	15.2	- Option
	Livingcare Materials	Module dimension	Module thickness	Maximum voltage	Wire

Option

- T12 (Teflon wire 120mm)
- P12 (PVC wire 120mm)



No.	Item	Specification
1	Ceramic substrate	96% Al ₂ O ₃
2	Lead wire	AWG18 or equal silicone wire (default)
3	Mark	This form is subject to change without notice.
4	Seal	RTV silicone sealant (default)
5	Wire length	120 ± 5 mm (default)

	VALUE (Th=27℃)	VALUE (Th=50℃)
I _{max}	15.3A	
V _{max}	15.2V	
ΔT _{max}	70℃	79℃
Q _{cmax}	144W	162W

* When applying + voltage to red wire and - voltage to black wire, marked substrate becomes cold side.

척도 SCALE:1:1	작성일 13-10-11	품명 열전모듈
제도 설계	검도 승인	모델명 LM-5050-3.7-15.2
	박찬	도번 LPT-50127-TM