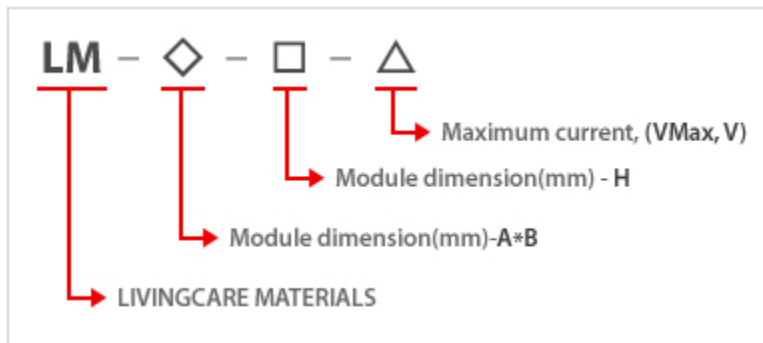
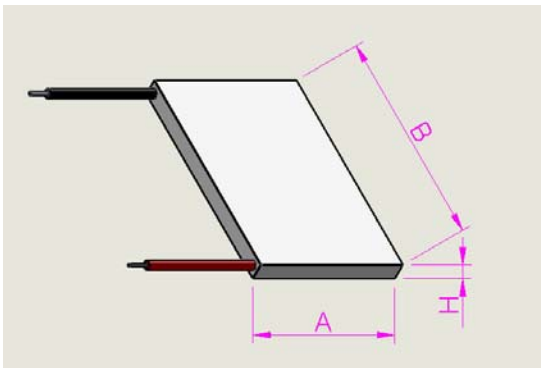


**모델명 : LM-4060-4.0-22.9**

1. PART NUMBERING SCHEME



2. GENERAL SPECIFICATION



- $I_{Max}$  = Max. input current in amperes at  $Q_c=0$  and  $\Delta T_{Max}$
- $Q_{Max}$  = Max. heat pumping capacity in watts at  $DT=0$
- $V_{max}$  = Max. DC input voltage in volts at  $Q_c=0$  and  $I_{Max}$
- $\Delta T_{Max}$  = Max. temperature differential in  $^{\circ}C$  at  $Q_c=0$  and  $I_{max}$
- When applying plus voltage to red lead wire the upper substrate becomes absorbing surface

MODEL	$I_{MAX}(A)$	$Q_{MAX}(W)$	$V_{MAX}(V)$	$\Delta T_{MAX}(^{\circ}C)$	DIMENSION		
	Th=27 $^{\circ}C$				A	B	H
LM-4060-4.0-22.9	5.6	79.6	22.9	70	40 $\pm$ 0.5	60 $\pm$ 0.5	4.0 $\pm$ 0.05
	Th=50 $^{\circ}C$						
	6.0	89.5	22.9	79			

\*All specifications are subject to change without notice.

SPEC.	Unit	Value
INTERNAL RESISTANCE	Ω	3.3±10%
UNFLATNESS AND NONPARALLED NOT MORE THAN	mm	0.05
MELTING POINT TEMPERATURE OF INTERNAL SOLDER	°C	220
CERAMIC TYPE		Al <sub>2</sub> O <sub>3</sub> 96%
Lead wire		Silicone rubber insulated wire (-60~180 °C)

### 3. PERFORMANCE GRAPH

