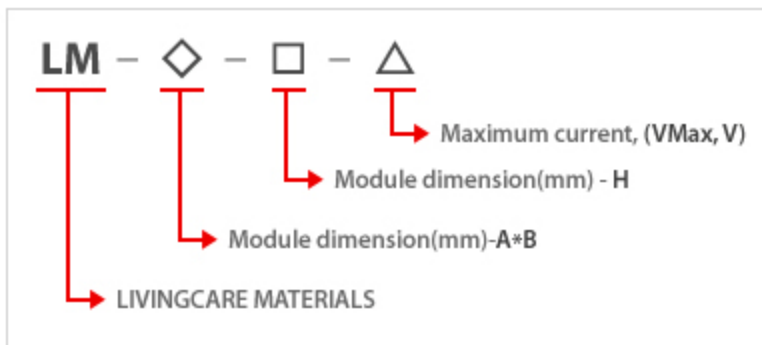
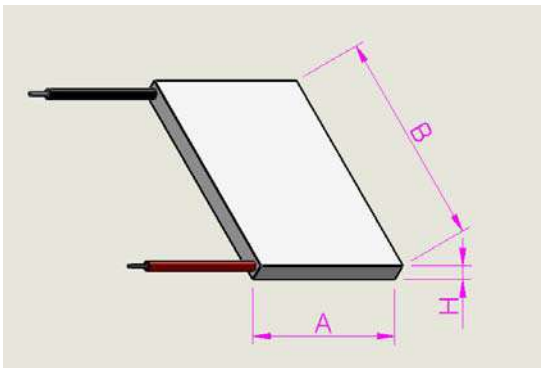


## LM-5555-4.0-28.9

### 1. PART NUMBERING SCHEME



### 2. GENERAL SPECIFICATION



- IMax = Max. input current in amperes at Qc=0 and ΔTMax
- QMax = Max. heat pumping capacity in watts at DT=0
- Vmax = Max. DC input voltage in volts at Qc=0 and IMax
- ΔTMax = Max. temperature differential in °C at Qc=0 and Imax
- When applying plus voltage to red lead wire the upper substrate becomes absorbing surface

MODEL	I <sub>MAX</sub> (A)	Q <sub>MAX</sub> (W)	V <sub>MAX</sub> (V)	ΔT <sub>MAX</sub> (°C)	DIMENSION		
	Th=27°C				A	B	H
LM-5555-4.0-28.9	5.6	100.4	28.9	70	55±0.5	55±0.5	4.0±0.05
	Th=50°C						
	6.0	112.9	28.9	79			

\*All specifications are subject to change without notice.

SPEC.	Unit	Value
INTERNAL RESISTANCE	Ω	4.1±10%
UNFLATNESS AND NONPARALLED NOT MORE THAN	mm	0.05
MELTING POINT TEMPERATURE OF INTERNAL SOLDER	°C	220
CERAMIC TYPE		Al <sub>2</sub> O <sub>3</sub> 96%
Lead wire		Silicone rubber insulated wire (-60~180 °C)

### 3. PERFORMANCE GRAPH

