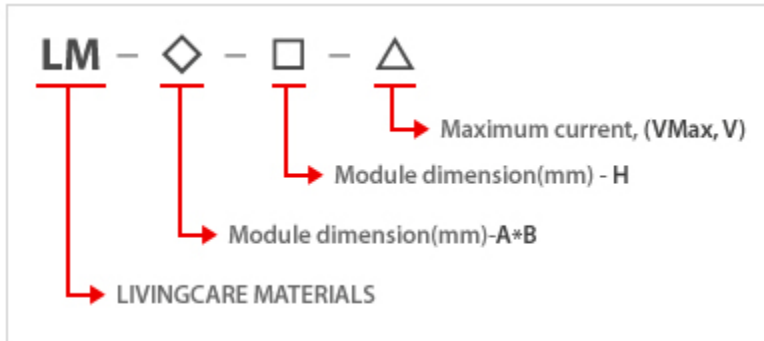
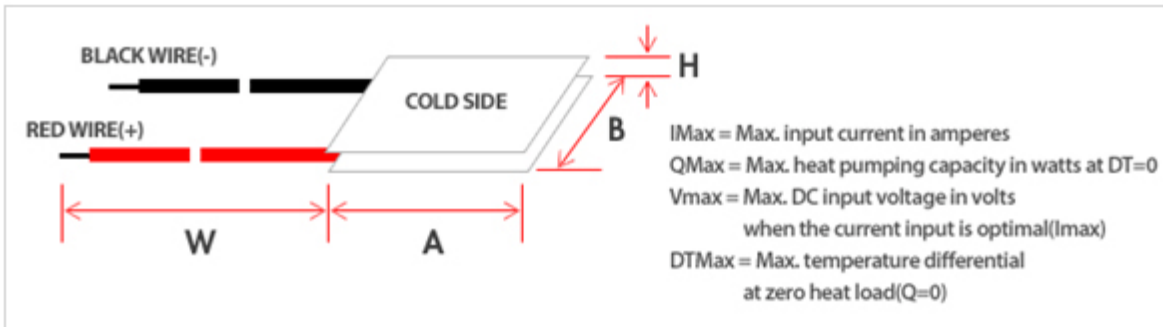


**모델명 : LM-4040-11.7-19**

**1. PART NUMBERING SCHEME**



**2. GENERAL SPECIFICATION**



MODEL	IMAX(A)	QMAX(W)	VMAX(V)	ΔTMAX(°C)	DIMENSION		
	Th=27°C				A	B	H
LM-4040-11.7-19	5	17	15.5	92	+0.6	+0.6	11.7
					-0.2	-0.2	±0.02



리빙케어소재기술(주)

대구시 달성군 유가읍 테크노남로 3길 7  
 TEL 053-639-3160 FAX 053-639-3162  
 EMAIL livingcare@lcdm.co.kr

Livingcare Development of Materials

**\*All specifications are subject to change without notice.**

SPEC.	Unit	Value
INTERNAL RESISTANCE	Ω	2.7±10% (at 25°C)
UNFLATNESS AND NONPARALLED NOT MORE THAN	mm	0.02
MELTING POINT TEMPERATURE OF INTERNAL SOLDER	°C	220
CERAMIC TYPE		Al <sub>2</sub> O <sub>3</sub> 96%



리빙케어소재기술(주)

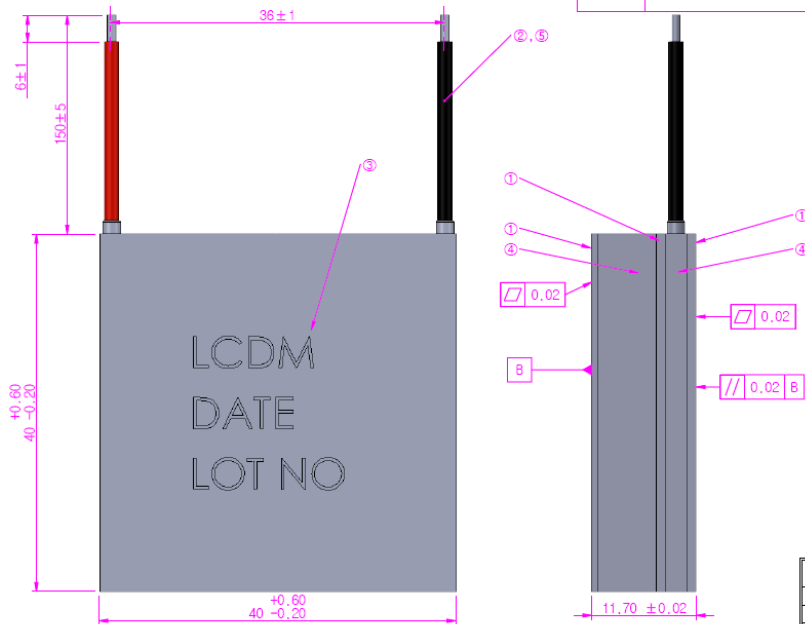
대구시 달성군 유가읍 테크노남로 3길 7  
 TEL 053-639-3160 FAX 053-639-3162  
 EMAIL livingcare@lcmd.co.kr

Livingcare Development of Materials

품명: LMD-4040-11.7-19

Part number	LM-	4040	11.7	19	-Option
	Livingcare Materials	Module dimension	Module thickness	Maximum voltage	Wire

No.	Item	Specification
1	Ceramic substrate	96%Al <sub>2</sub> O <sub>3</sub>
2	Lead wire	AWG 20 PVC wire
3	Mark	This form is subject to change without notice.
4	Seal	Silicone sealing
5	Wire length	150±5mm(default)



	VALUE (Th=27°C)
I max	5 A
V max	15.5 V
ΔT max	92 °C
Qc max	17 W

\* When applying + voltage to red wire and - voltage to black wire, marked substrate becomes cold side.

업종명	LCDM		품명	열전모듈
척도	SCALE:1:2	작성일	2023-04-24	
제도	설계	검도	승인	도명 LM-4040-11.7-19
	Y. J. Kwon			
	LIVINGCARE 리빙케어소재기술	도번		LM-4040-11.7-19